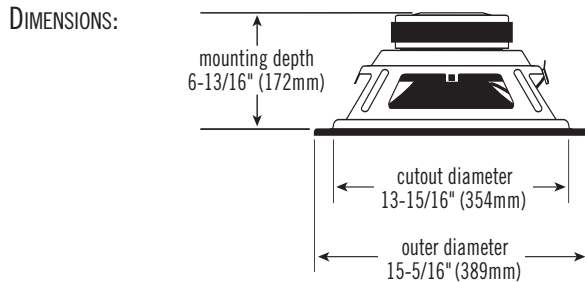
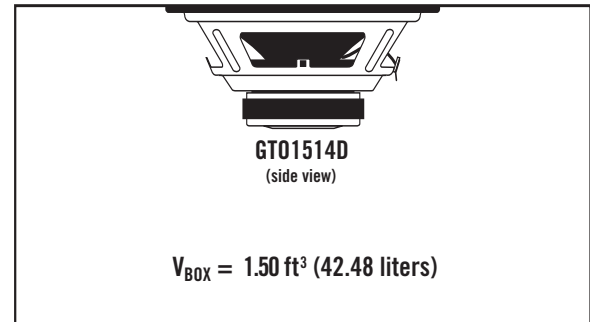


SPECIFICATIONS

DIAMETER:	15" (381mm)
SENSITIVITY (2.83V @ 1M):	96dB
POWER HANDLING:	350W _{RMS} (1400W _{PEAK})
FREQUENCY RESPONSE:	23Hz ~ 400Hz
NOMINAL IMPEDANCE:	2 or 8 OHMS
VOICE COIL DIAMETER:	2.0" (51.0mm)



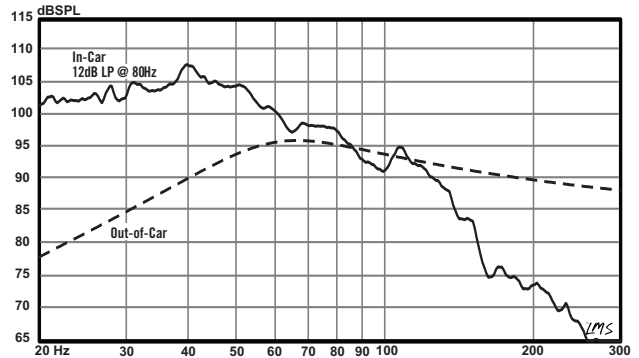
SEALED BOX VOLUME (INCLUDES DRIVER DISPLACEMENT)



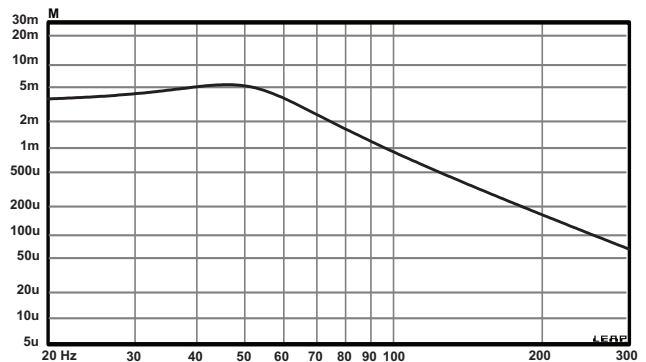
THIELE-SMALL PARAMETERS

VOICE COIL DC RESISTANCE:	R_{EVC} (OHMS)	1.90
VOICE COIL INDUCTANCE @ 1kHz:	L_{EVC} (MH)	1.20
DRIVER RADIATING AREA:	S_D (IN ²)	128.7
	S_D (M ²)	830.00
MOTOR FORCE FACTOR:	BL (TM)	12.08
COMPLIANCE VOLUME:	V_{AS} (FT ³)	5.69
	V_{AS} (LITERS)	161.40
SUSPENSION COMPLIANCE:	C_{MS} (µM/N)	164.00
MOVING MASS, AIR LOAD:	M_{MS} (GRAMS)	249.80
MOVING MASS, DIAPHRAGM:	M_{MD} (GRAMS)	236.10
FREE-AIR RESONANCE:	F_S (HZ)	24.90
MECHANICAL Q:	Q_{MS}	7.15
ELECTRICAL Q:	Q_{ES}	0.51
TOTAL Q:	Q_{TS}	0.47
MAGNETIC-GAP HEIGHT:	H_{AG} (IN)	0.31
	H_{AG} (MM)	8.00
VOICE COIL HEIGHT:	H_{VC} (IN)	1.45
	H_{VC} (MM)	37
MAXIMUM EXCURSION:	X_{MAX} (IN)	0.57
	X_{MAX} (MM)	14.50

SEALED ENCLOSURE FREQUENCY RESPONSE @ 2.83V



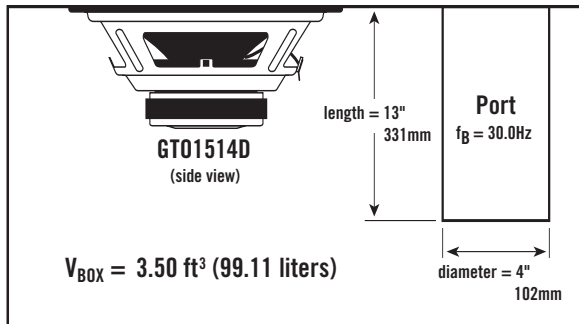
SEALED ENCLOSURE CONE EXCURSION @ 350W



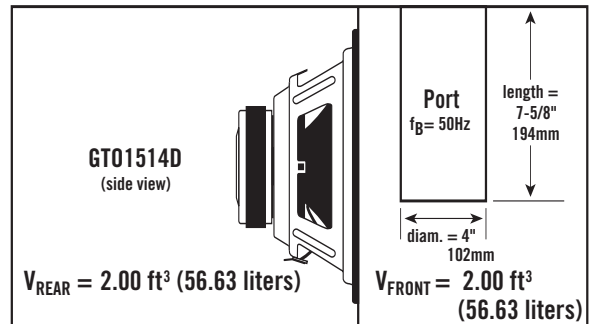


GT01514D 15" Woofer – Technical Data

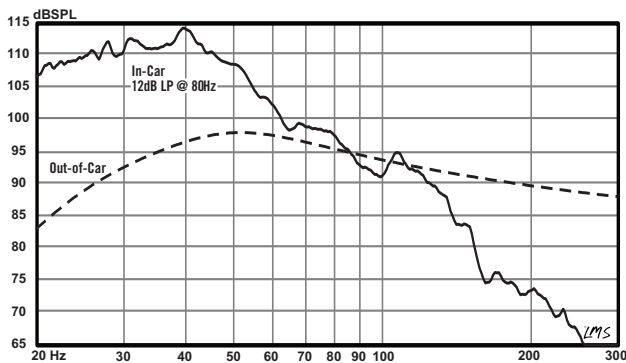
VENTED BOX VOLUME (INCLUDES DRIVER/PORT DISPLACEMENTS)



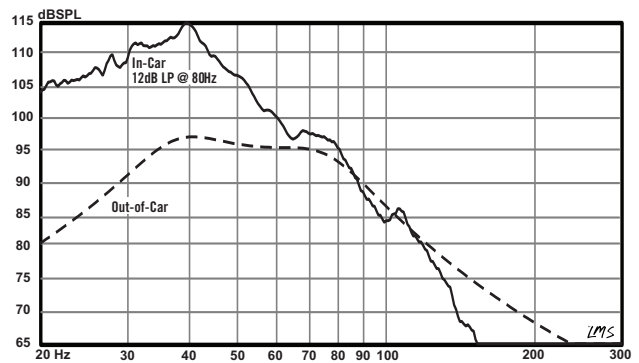
BAND-PASS BOX VOLUME (INCLUDES DRIVER/PORT DISPLACEMENTS)



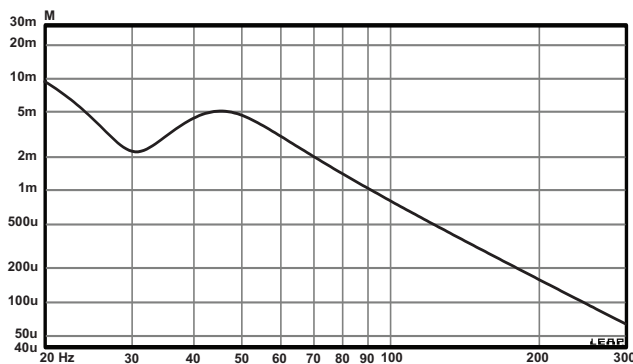
VENTED ENCLOSURE FREQUENCY RESPONSE @ 2.83V



BAND-PASS ENCLOSURE FREQUENCY RESPONSE @ 2.83V



VENTED ENCLOSURE CONE EXCURSION @ 350W



BAND-PASS ENCLOSURE CONE EXCURSION @ 350W

